

# 478MU

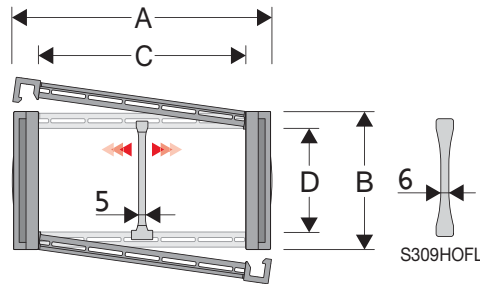
## Nylon Cable Chain with opening frames

### Inner height (D) 75,5 mm

Sideband & Frame construction with large anti-friction single-pin.

As standard the chain comes with frames every second link, on request with frames every link.

Modular separator systems are available



### Separator

- Sfuso	Cod. S309S
- Montato*	Cod. S309SMCI
- Montato**	Cod. S309SMCE

### Strong-hold separator

per C > 250 mm

- Sfuso	Cod. S309HOFL
- Montato	Cod. S309HOFLMC

### Pin

Cod. PG475

\* for chain opening outer radius

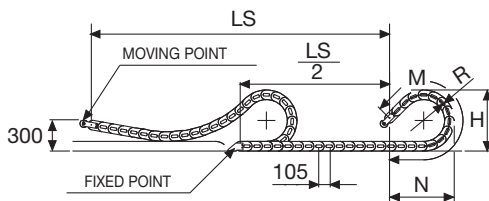
\*\* for chain opening inner radius

### Technical characteristics

Speed	3 m/s
Acceleration	8 m/s <sup>2</sup>

For higher requirements please consult our technical dept.

A	B	C	D	R	Weight/m	Chain
mm	mm	mm	mm	mm	kg	Part number
112	106,5	74	75,5	180-200-250-300-350-400	3,70	478MU074 □□□ *
132	106,5	94	75,5	180-200-250-300-350-400	3,80	478MU094 □□□ *
157	106,5	119	75,5	180-200-250-300-350-400	3,85	478MU119 □□□ *
164	106,5	126	75,5	180-200-250-300-350-400	3,90	478MU126 □□□ *
187	106,5	149	75,5	180-200-250-300-350-400	3,95	478MU149 □□□ *
227	106,5	189	75,5	180-200-250-300-350-400	4,05	478MU189 □□□ *
262	106,5	224	75,5	180-200-250-300-350-400	4,15	478MU224 □□□ *
288	106,5	250	75,5	180-200-250-300-350-400	4,25	478MU250 □□□ *
312	106,5	274	75,5	180-200-250-300-350-400	4,30	478MU274 □□□ *
338	106,5	300	75,5	180-200-250-300-350-400	4,37	478MU300 □□□ *
362	106,5	324	75,5	180-200-250-300-350-400	4,45	478MU324 □□□ *
388	106,5	350	75,5	180-200-250-300-350-400	4,55	478MU350 □□□ *
412	106,5	374	75,5	180-200-250-300-350-400	4,60	478MU374 □□□ *
467	106,5	429	75,5	180-200-250-300-350-400	4,80	478MU429 □□□ *
536	106,5	498	75,5	180-200-250-300-350-400	5,00	478MU498 □□□ *



\*Complete the code by inserting the value of the radius (R): Ex. 478MU119 □ □ □

Chain equipped with nylon frame every pitch: complete the code by inserting the letter D. 478MU119150 □

Length of chain (L)

Half travel distance ( $\frac{LS}{2}$ )

plus length of curve (M)

$$L = \frac{LS}{2} + M$$

R	H	N	M
mm	mm	mm	mm
180	466,5	495	1155
200	506,5	570	1330
250	606,5	745	1765
300	706,5	920	2205
350	806,5	1090	2640
400	906,5	1265	3080



Version with frames mounted on every pitch.

**NEW  
CHAIN**

**End Brackets**

The end brackets set allows the two ends of the chain to be attached to the equipment. One set includes two pivoting end brackets to be installed at the moving point and two standard steel end brackets to be installed at the fixed point.

**Bright Zinc Plated Steel Movable Type\*\*\***

**Bright Zinc Plated Steel Type\*\*\* (moving point) (fixed point)**

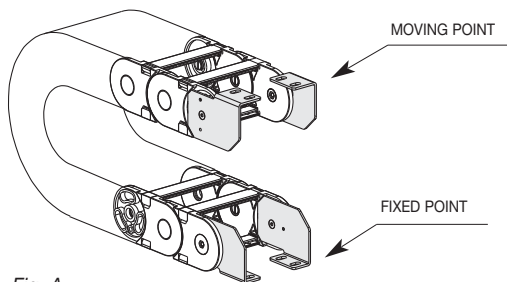
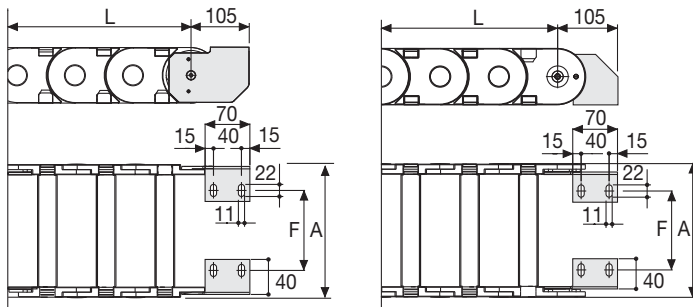


Fig. A  
Chain fixed outside the radius. (Fig A)



Chain Type	F mm
478MU074	35
478MU094	55
478MU119	80
478MU126	87
478MU149	110
478MU189	150
478MU224	185
478MU250	211
478MU274	235
478MU300	261
478MU324	285
478MU350	311
478MU374	335
478MU467	390
478MU498	459

**Bright Zinc Plated Steel Type Part Numbers**

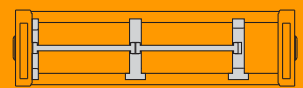
Complete Set Assembled	
Chain	End Brackets
Type	Set
478MU	A478M□□□*KM

Complete Set Unassembled	
Chain	End Brackets
Type	Set
478MU..	A478M□□□*K

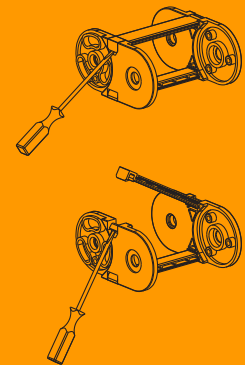
Tiewrap Clamp	
	Part Number
Assembled	CFC478M□□□*KM
Unassembled	CFC478M□□□*K

\* Inner width (C)  
\*\*\* Available on request in stainless steel

**478MU**  
Nylon Cable Chain  
with opening frames



Separation System  
To choose the separators see page. 198



How to open the cover.

For further information please consult Brevetti Stendalto's Technical Office